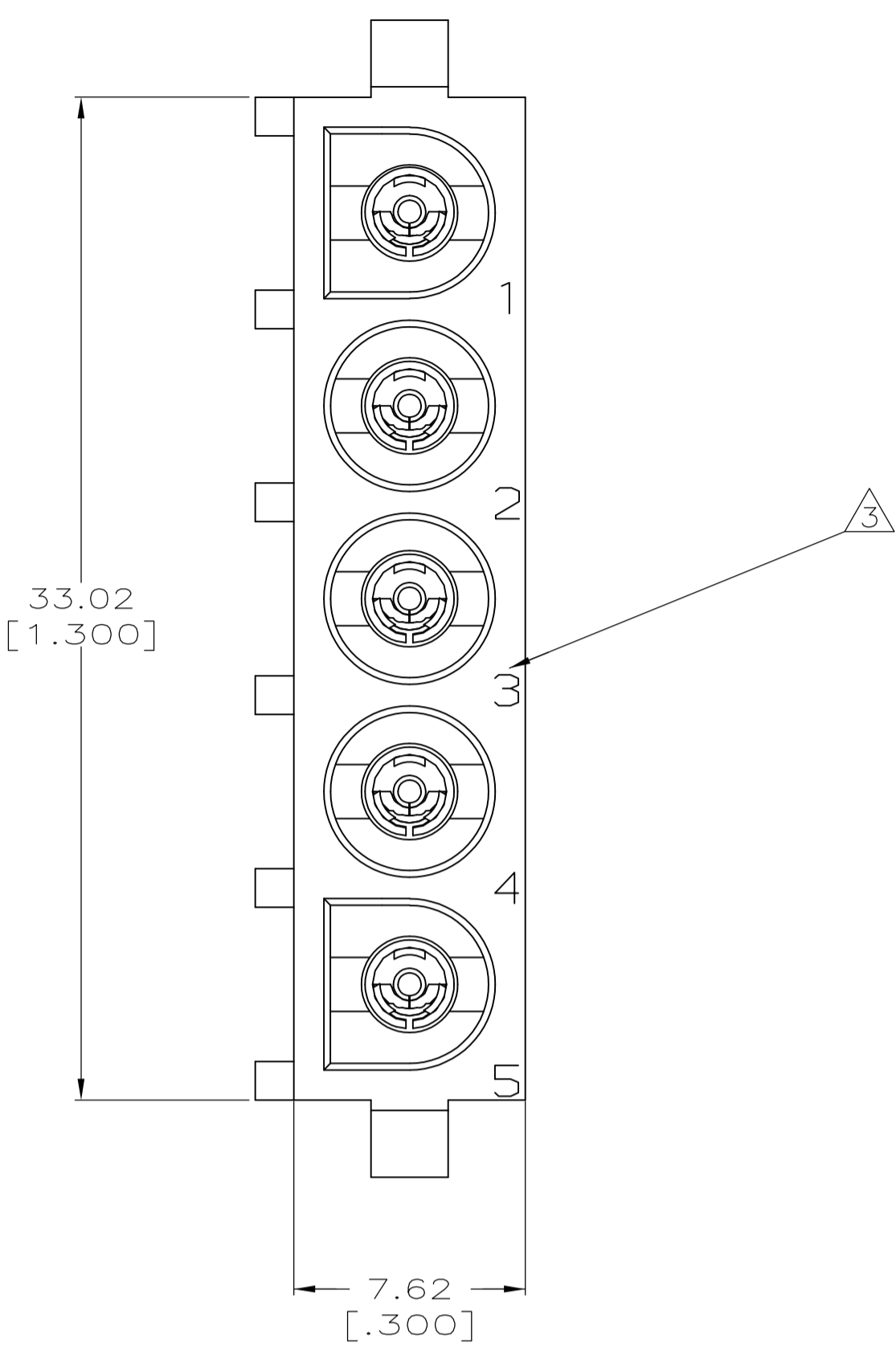
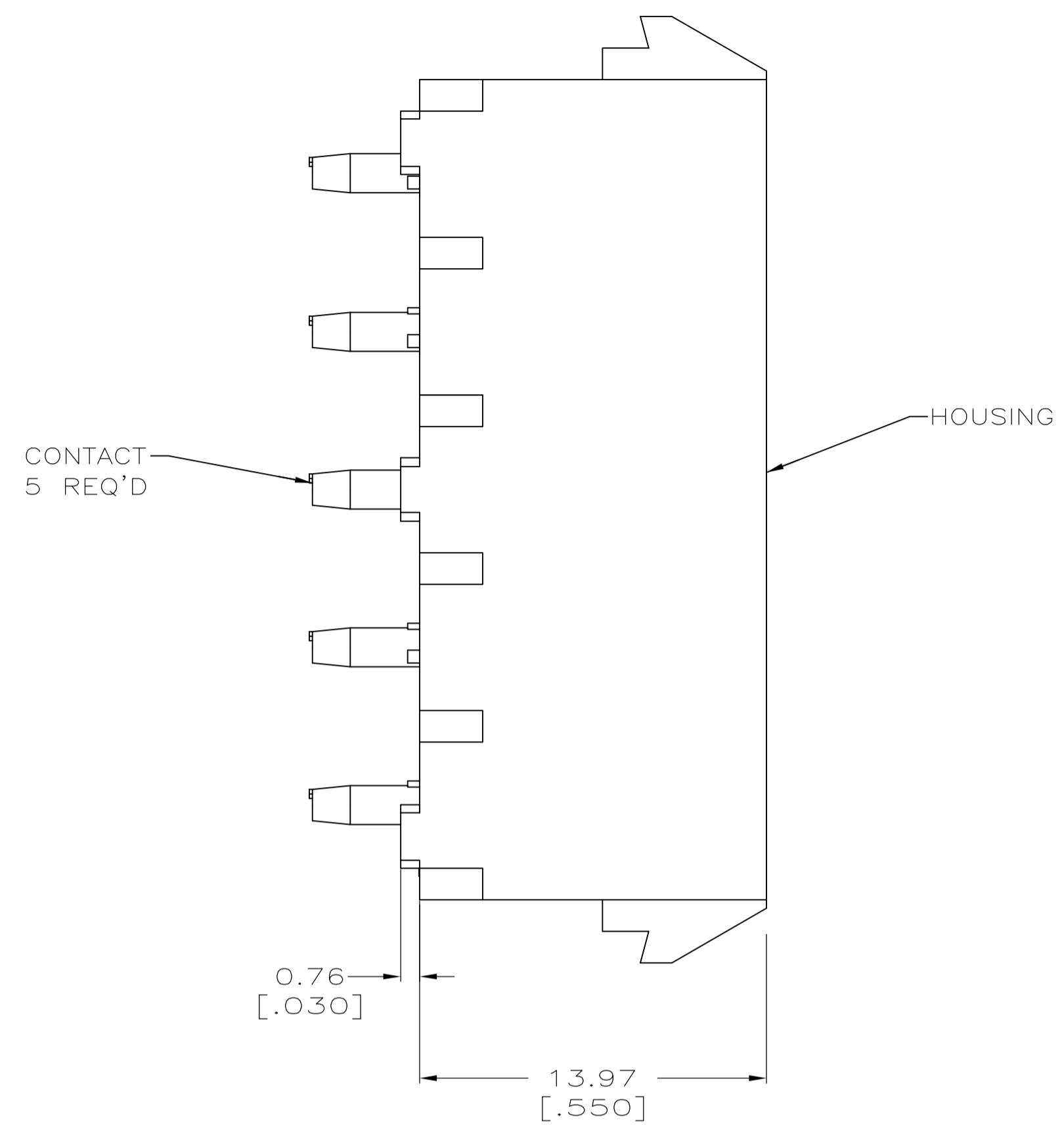
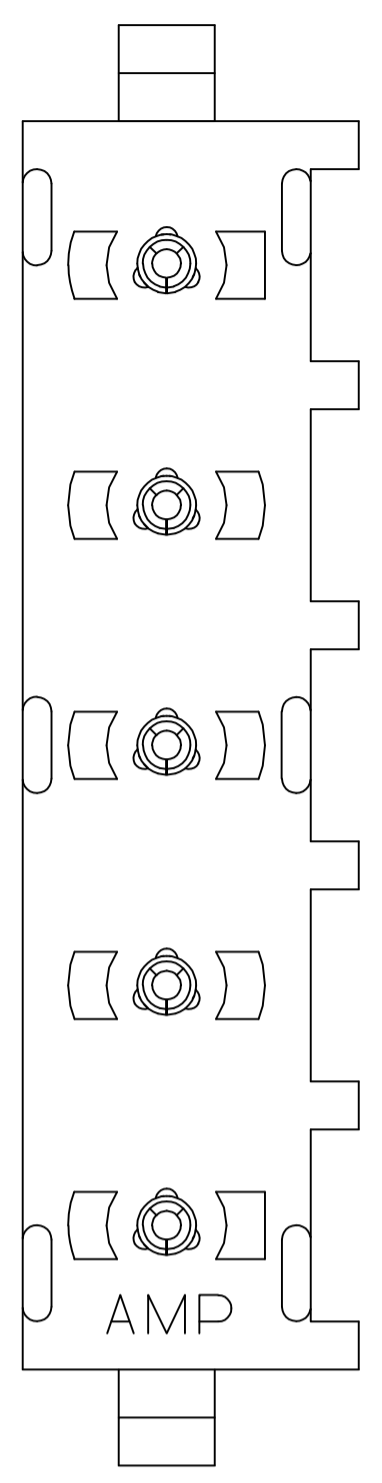
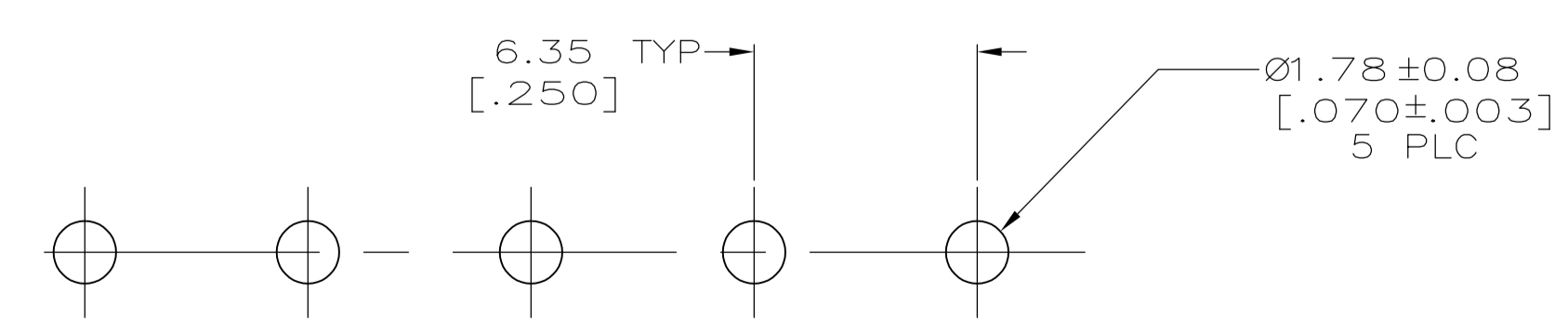
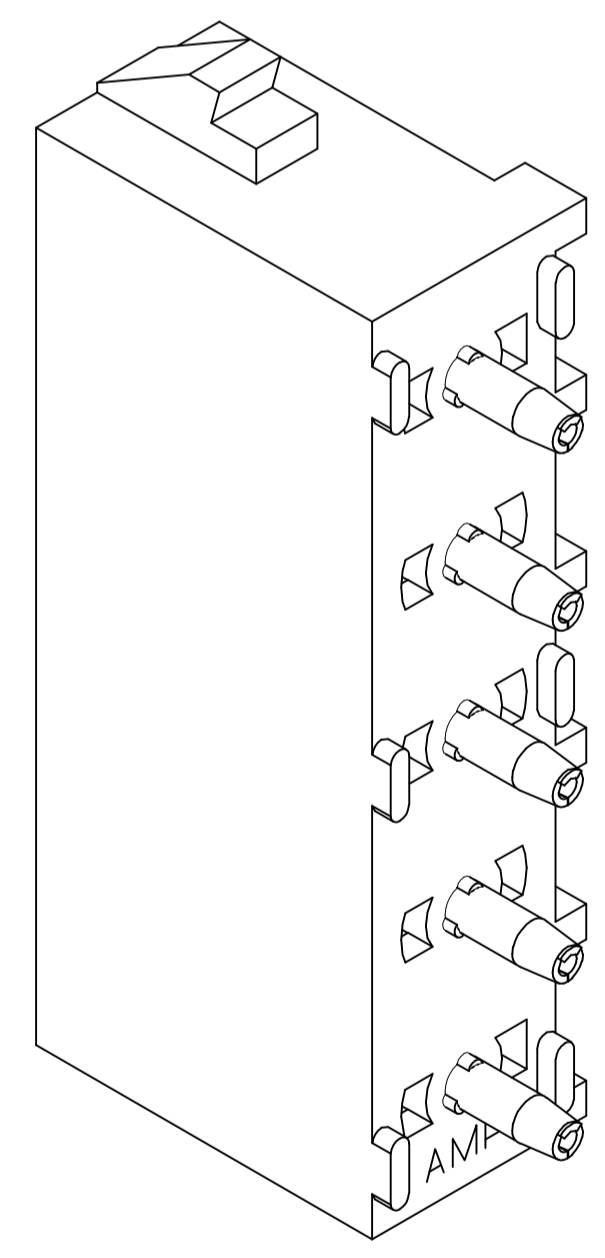
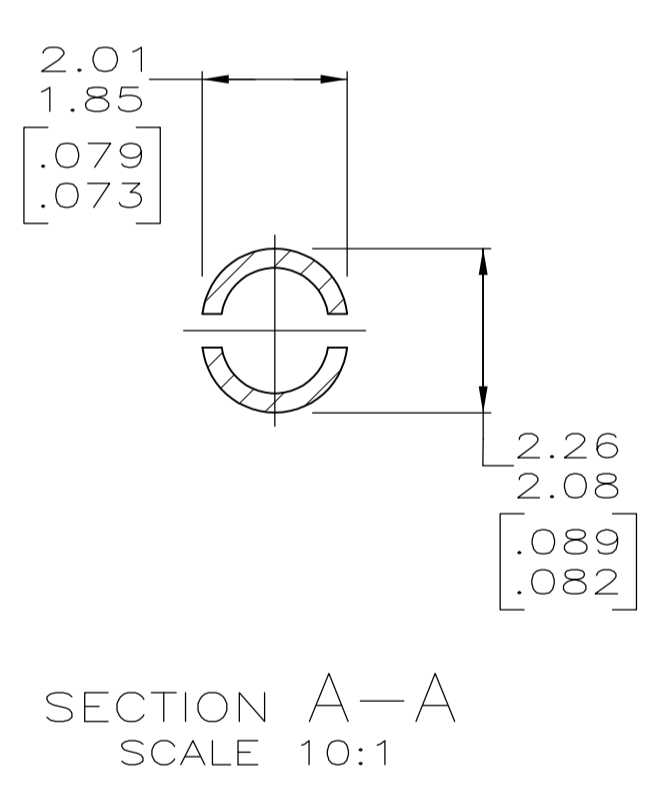
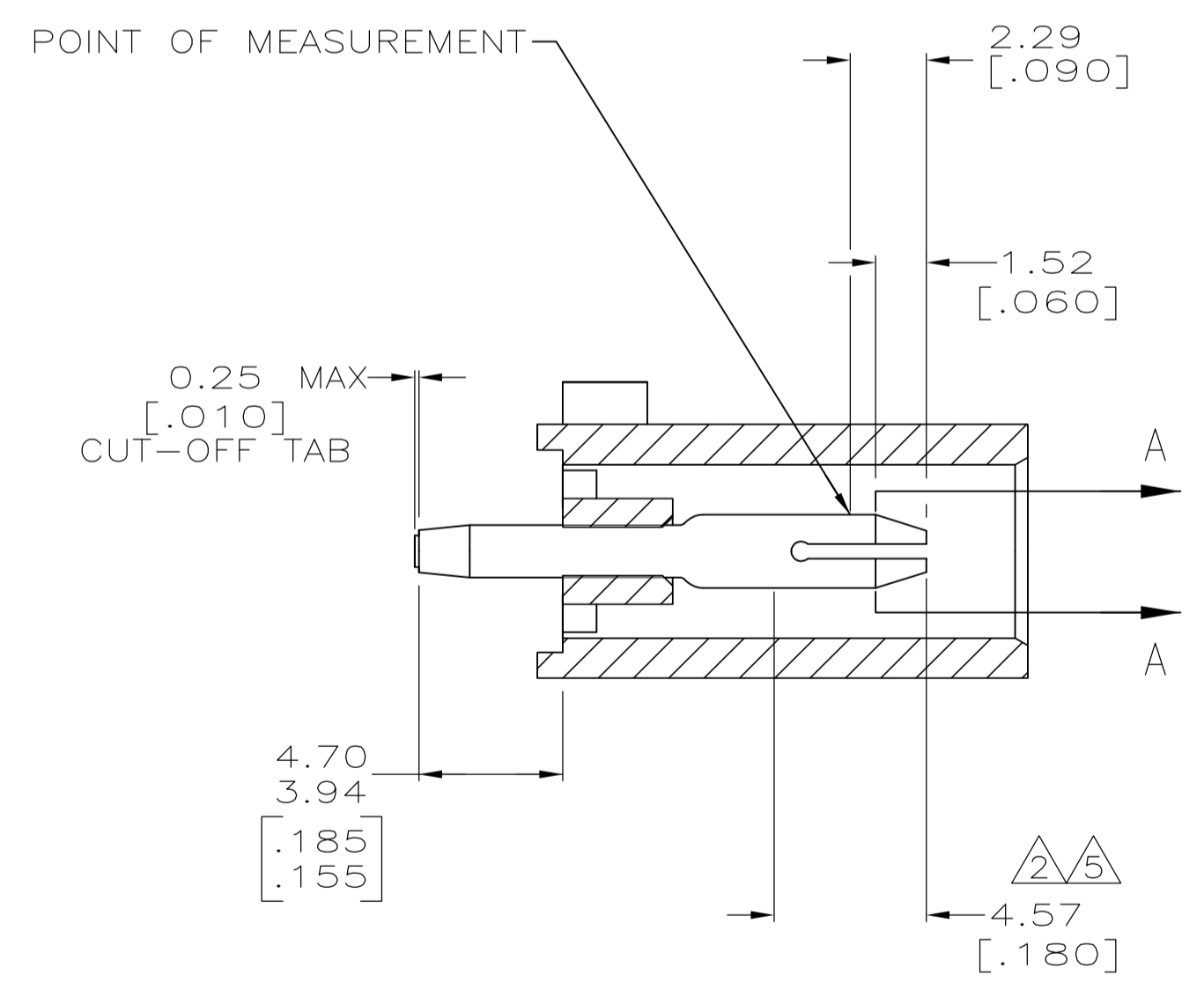


LOC		DIST		REVISIONS			
P	LTR	DESCRIPTION	DATE	DNW	APVD		
A		ECO-07-015169	07AUG07	KW	DC		



- PARTS COMPLY TO AMP SOLDERABILITY SPECIFICATION 109-11-3.
- GLOW WIRE APPROVED, CONTACT TYCO ELECTRONICS ENGINEERING FOR SPECIFICATION.
- CIRCUIT IDENTIFICATION CHARACTERS ARE ADJACENT TO THE INDICATED CAVITIES, BUT LOCATION AND ORIENTATION MAY DIFFER FROM PRINT.
- DIMENSIONS IN BRACKETS ARE IN INCHES.



RECOMMENDED MOUNTING HOLE PATTERN FOR 1.57 [.062] THICK P.C. BOARD

PHOSPHOR BRONZE, PRE-TIN PIN CONTACT MATERIAL AND FINISH	NYLON, UL94V-2, NATURAL HOUSING MATERIAL	1586968-1 PART NUMBER
THIS DRAWING IS A CONTROLLED DOCUMENT.		DWN: K. WHITAKER 07AUG2007 CHK: D. COLEY 07AUG2007 APVD: D. COLEY 07AUG2007 NAME: Tyco Electronics Corporation Greensboro, NC 27409
DIMENSIONS: mm [INCHES]	TOLERANCES UNLESS OTHERWISE SPECIFIED:	PRODUCT SPEC: PIN HEADER ASSEMBLY, 5 CIRCUIT UNIVERSAL MATE-N-LOK APPLICATION SPEC: UNIVERSAL MATE-N-LOK
MATERIAL: SEE TABLE	FINISH: SEE TABLE	SIZE: A1 CAGE CODE: 00779 DRAWING NO: 1586968 WEIGHT: -- CUSTOMER DRAWING: --
		SCALE: 5:1 SHEET: 1 OF 1 REV: A

